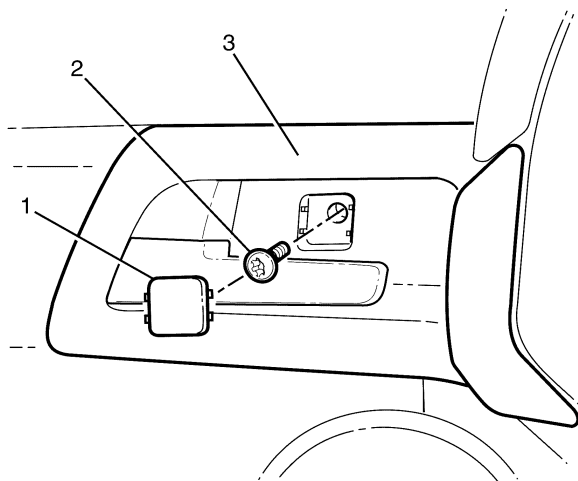


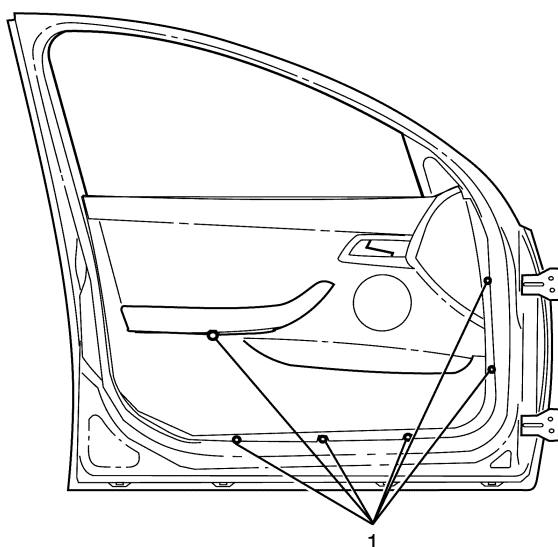
Front Side Door Trim Panel Replacement

Removal Procedure



Note: Pry the inside door handle to door retaining screw cover (1) using a suitable tool.

- Remove the inside door handle to door retaining screw cover (1) from the door trim panel (3).
- Remove the inside door handle to door retaining screw (2).

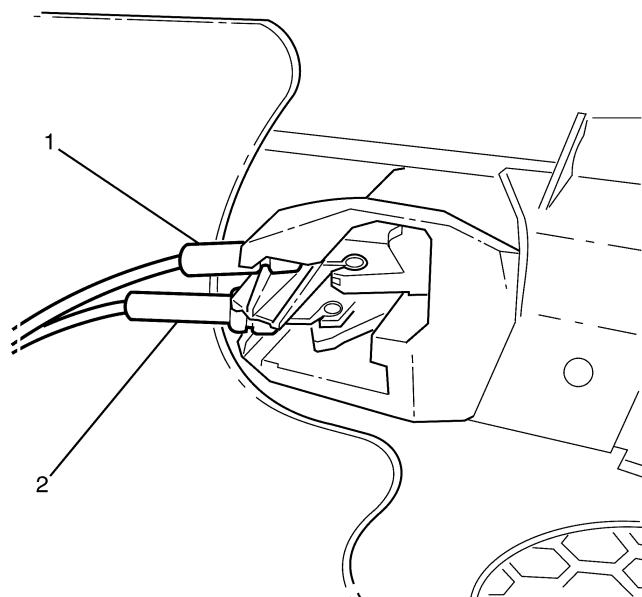


- Remove the door trim panel to door retaining screws (1).

© 2010 General Motors. All rights reserved.

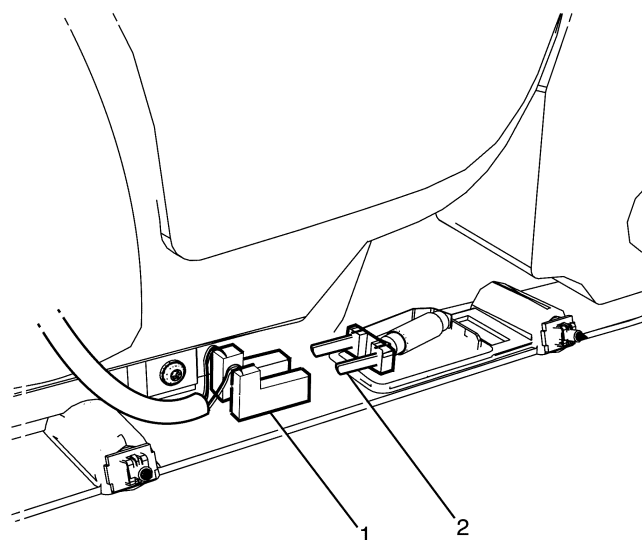
Note: Firmly pull on the armrest handle to release the door trim panel to door retaining clips.

- Remove the door trim panel from the door to allow access to door handle cable, door lock cable and courtesy light electrical connectors (if fitted).



Note: The door handle and lock cables slide out and lift up to remove from the door trim panel.

- Disconnect the inside door handle cable (1) and door lock cable (2) from the door trim panel.



- Disconnect the courtesy light electrical connectors (1) from the door trim panel (2) (if fitted).
- Remove the door trim panel (2) from the door.

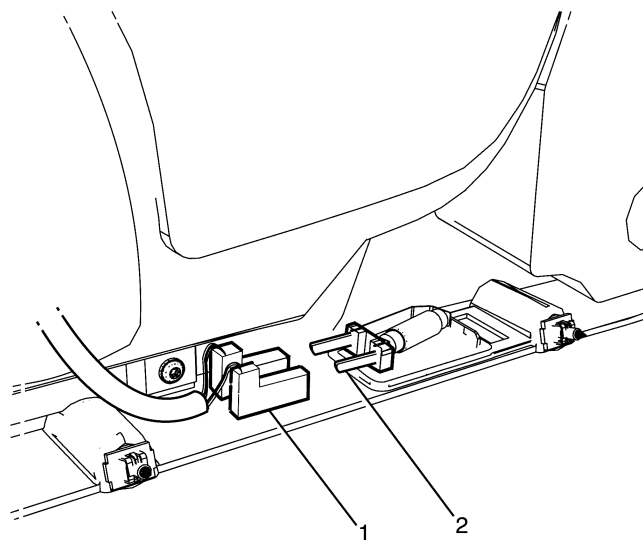
Installation Procedure

Note: Green retaining clips are along the front edge and white retaining clips are along the back edge.

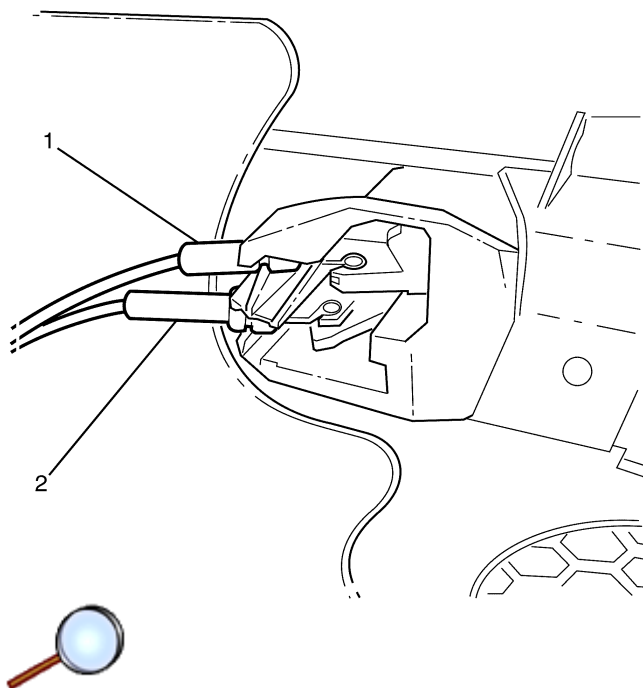
- Make sure that all of the retaining clips are on the door trim panel and not still attached to the sheetmetal.

Note: Do not fully install the door trim panel at this stage. The inside door handle cable, door lock cable and courtesy light electrical connector have to be attached first (if fitted).

- Position the door trim panel to the door.

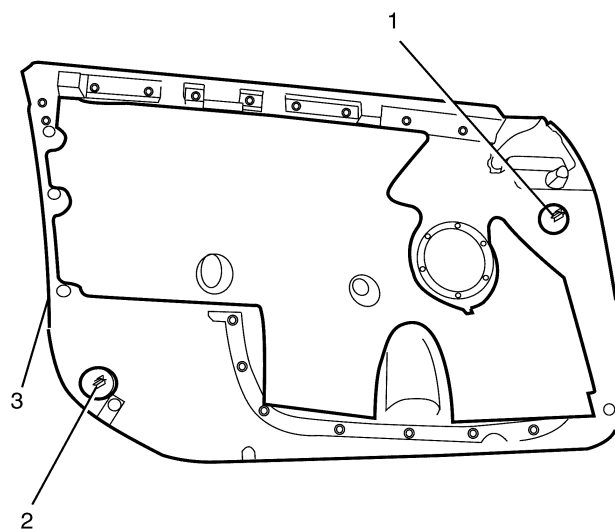


- Connect the courtesy light electrical connectors (1) to the door trim panel (2) (if fitted).



Note: The door handle and lock cables slide down and in to the door trim panel to install.

- Connect the inside door handle cable (2) and door lock cable (1) to the door trim panel.

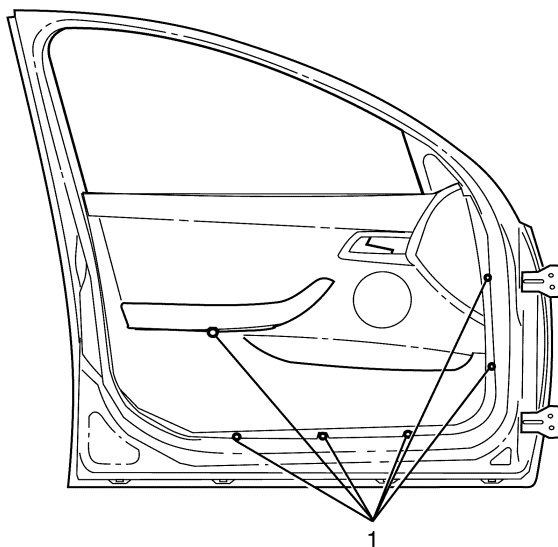


Note: Datum pins (1, 2) align the door trim panel to the door.

Note: Apply pressure around the door trim panel (3) to secure the retainers to the door.

- Position the door trim panel (3) to the door.

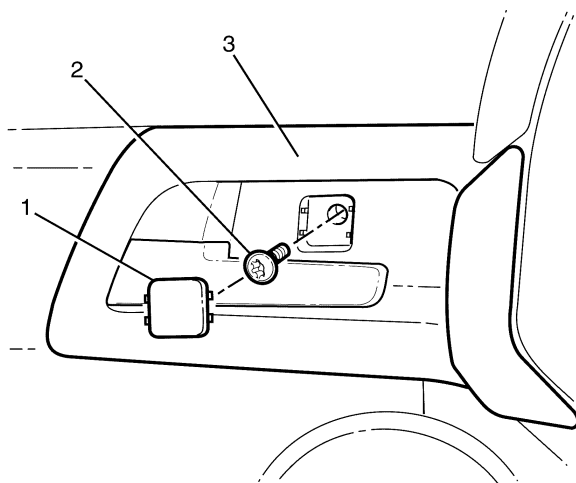
Caution: Refer to [Fastener Caution](#) in the Preface section.



- Install the door trim panel to door retaining screws (1).

Tighten

Tighten the screws to 3 N-m (27 lb in).



- Install the inside door handle to door trim panel retaining screw (2).

Tighten

Tighten the screws to 3 N-m (27 lb in).

- Install the inside door handle to door retaining screw cover (1) to the door trim panel (3).